

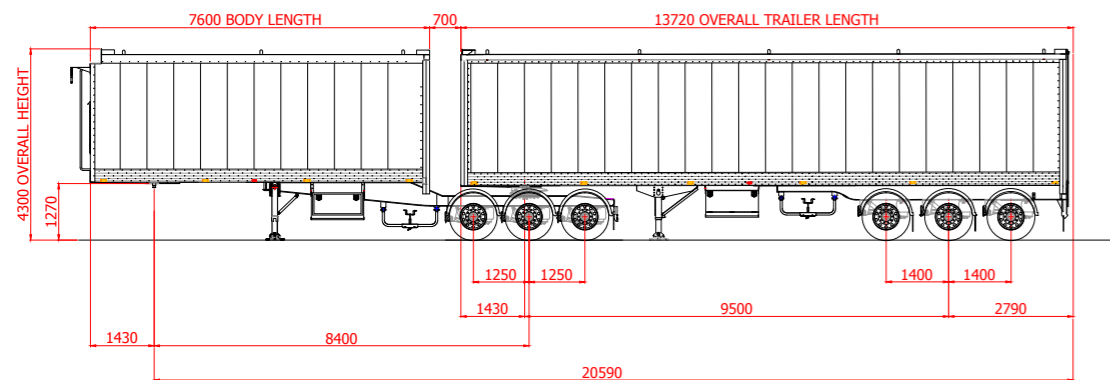
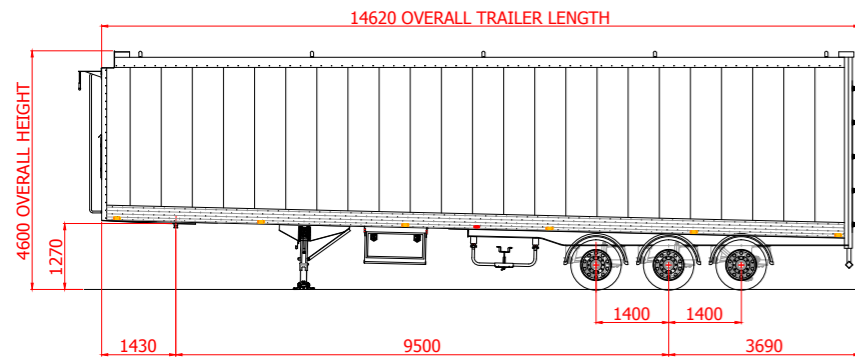
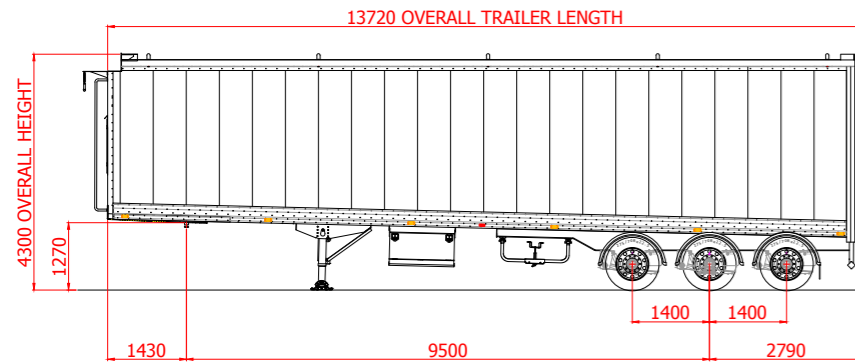
## ENGINEERED TO YOUR SPECS

Whether it is a single trailer, multiple combinations or one off designs, we can engineer a drop deck solution to fit your business needs. Our drop decks are robust and built with reliability in mind.

# BARKER CHIP BINS

## SPEED AND EFFICIENCY

### TECHNICAL



Authorised Dealer

Tel: 03 5427 9999

Fax: 03 5427 2298

Web: [www.barkertrailers.com.au](http://www.barkertrailers.com.au)

Email: [sales@barkertrailers.com.au](mailto:sales@barkertrailers.com.au)

Address: 144 Clancy's Lane, North Woodend, Victoria.



Celebrating 40 years of innovation through application

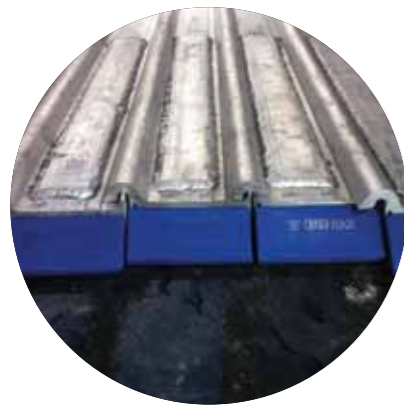
## BETTER BUILT BY BARKER

All Barker trailers are designed in house by our engineering team using only quality components. Trailer frames are then built 'from the ground up' by our highly skilled fabricators and welders at our Woodend and Maryborough plants. Once this stage is complete, the frames are then grit blasted and painted, ready for final fit-out and delivery to the customer. We believe this is the best way to build a trailer and if you want to call in, we'll be happy to show you why.



## INNOVATION THROUGH APPLICATION

The need to constantly solve problems drives the process of innovation. Client feedback is invaluable – our clients operate the equipment, if they suggest an improvement or identify a problem we can implement changes and modify the design to be more productive.



### 10mm Floor Plank

10mm Seal-less Knuckle floor plank



### 6mm Floor Plank

6mm Ribbed floor plank & taillight tarp protector



### Sweeper Tarp

PVC Sweeper Tarp System



### Load Through/Tip Through

Two Trailers Slide Together for Simultaneous Unloading



### Electric Tarp

Razor Electric Tarp



### Ladder

Full Height Front Ladder to view loading and unloading



### Far left:

Barn doors



### Left:

Free Swinging Top Hinge Tailgate

### Right:

Quad Axle Bottom Dump Chip Bin Trailer

## Standard Options

### Configurations

- Rigid
- Straight or Wedge Singles
- Load Through B/double
- Tip Through B/doubles
- Bottom Dump B/doubles
- Road Train
- PBS

### Applications

- Chip
- Sawdust
- Shavings
- Bark
- Mulch
- Compost/Grain
- Green Waste
- Rice Hulls
- Recyclables

### Suspensions

- Air Bag
- Spring

### Brakes

- Drum Brake
- Disc Brake
- EBS Brakes

### Wheels, 22.5, 19.5, 17.5

- Alloy Machined, Polished and Durabrite
- Steel Disc
- Spider

### Capacity

- Up to 130m as a single trailer
- Up to 150m as a B/double
- Up to 194m as a Road Train

### Lighting

- LED Lights used throughout
- Wiring in Conduit

### Guards

- Std Flaps Front and Rear
- Plastic or Stainless Steel

### Floor

- Cargo Floor CF500 drive unit
- 6mm Plain or Ribbed floor plank
- 6mm Semi-Leak Proof floor plank
- 10mm Ribbed floor plank
- 10mm Seal-less Knuckle floor plank
- Bulk Mover

### Toolboxes and Storage

- 3' Standard
- 4' Standard

### Water Tanks

- Plastic
- Alloy
- Stainless Steel

### Rear door

- Top Hinged gravity door
- Barn doors
- Hydraulic top hinged
- Side hinged door

### Tarps

- Manual roll tarp
- Electric roll tarp
- Hydraulic flip over lids

### Floor Tarps

- PVC Sweeper Tarp
- Pneumatic return PVC Sweeper tarp
- Hydraulic Sweeper Tarp
- Internal divider wall

### Front Wall

- Access door and ladder

### Road Train

- Ringfeder fitted c/w Air and Electrics
- Provision c/w Air and Electrics

